



Trims & Moldings

SIDING

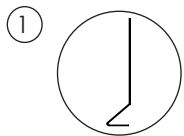
3099, St. Bernard-Pilon,
St-Mathieu-de-Beloeil,
QC J3G 4S5
T. 450-464-5486 | F. 450-464-4538
MACmetalarchitectural.com
info@macmetalarchitectural.com

MAC
METAL ARCHITECTURAL

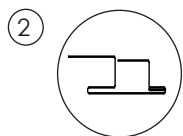
March 2020

Disposition of the moldings

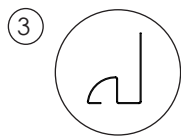
The suggested dispositions will apply to all profiles



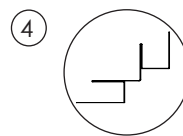
1 Starter strip



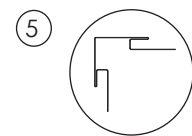
2 Vertical transition trim



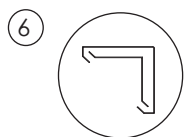
3 Inside corner or QJ



4 Outside corner



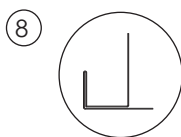
5 Outside corner with integrated J



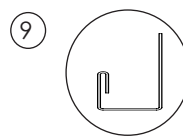
6 Outside corner



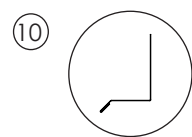
7 Horizontal transition trim



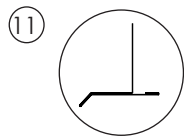
8 Extended J trim



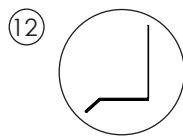
9 J trim



10 Drip flashing



11 Extended drip flashing



12 Double drip flashing

Harrywood, Harrywood Block, MS 14, Norwood & Norwood Mini Profiles

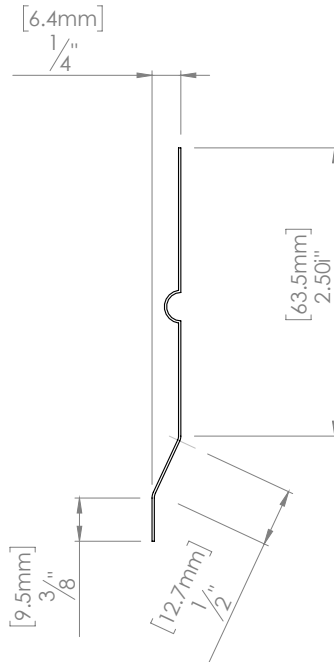
Variable = Degree or inch / mm Units = Inch and/or mm

All Trims come in a 10' length, 26 gauge

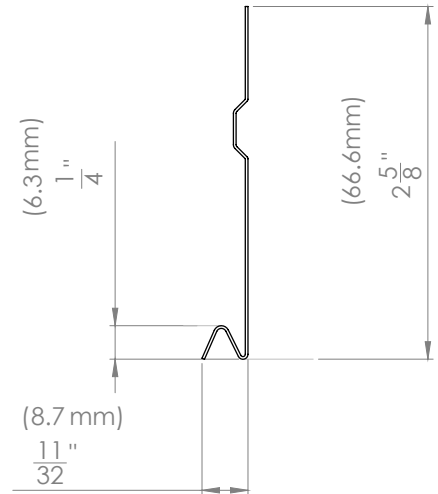
Starting strip

The starting strip will be the first to be put in place at the beginning of the work to guide and secure the production of the project.

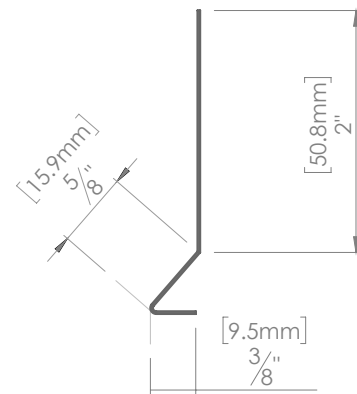
No. M10SHW (Harrywood)
Starting strip



No. M10S14 (MS 14)
Starting strip



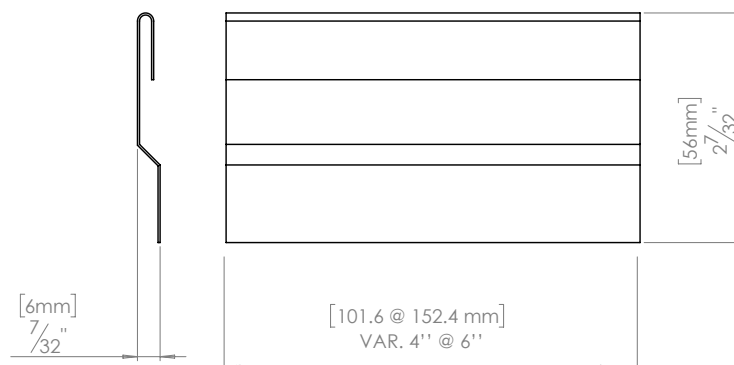
No. M10D (Norwood)
Starting strip



Rear restraining bracket

The rear support bracket acts as a reinforcement support when installing on large surfaces.

No. ABRA2 (Harrywood)
Rear restraining bracket



Harrywood, Harrywood Block, MS 14, Norwood & Norwood Mini Profiles

Variable = Degree or inch / mm Units = Inch and/or mm

All Trims come in a 10' length, 26 gauge

J trim

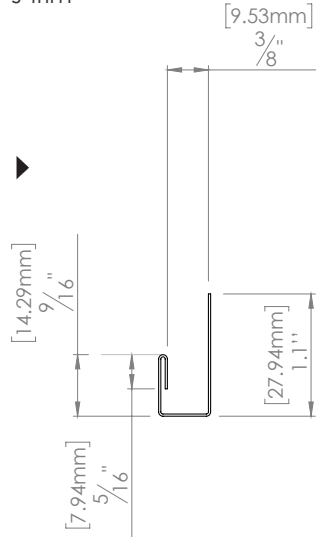
The J trim is used on the sides and bottom of any opening. Available in several forms depending on the needs of the project:

The double J trim will be used when a stronger molding is required or to fill a spacing. Note that the entire piece is colored.

The extended J trim will be used to cover more surface as in the case of a window that is coming out of the wall.

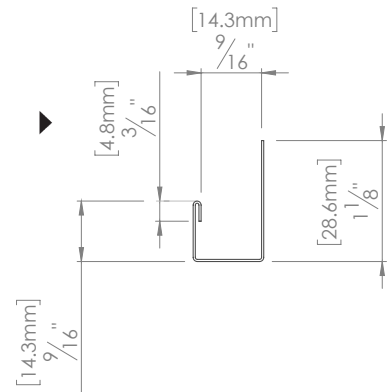
No. M01C (Harrywood & MS 14)

J trim



No. M01D (Norwood)

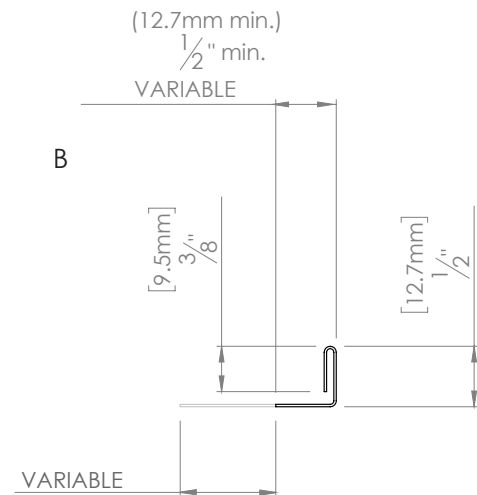
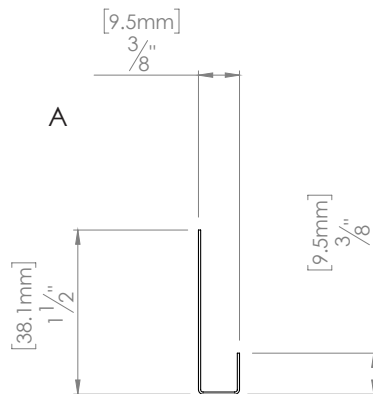
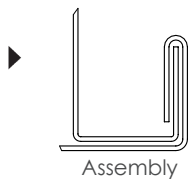
J trim



No. M03C (Harrywood & MS 14)

Extended J trim

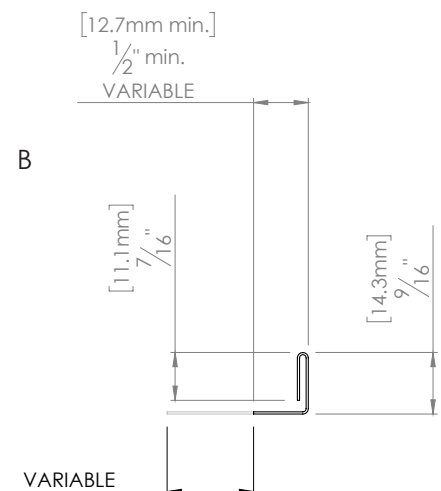
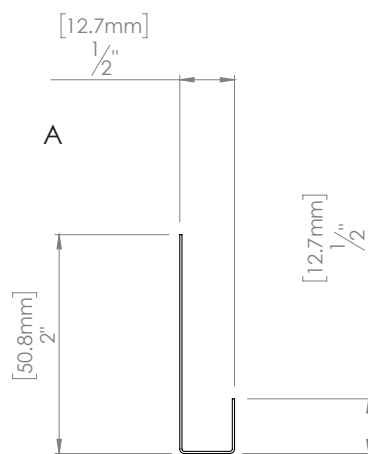
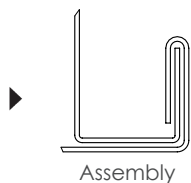
(2 pieces)



No. M03D (Norwood)

Extended J trim

(2 pieces)



Harrywood, Harrywood Block, MS 14, Norwood & Norwood Mini Profiles

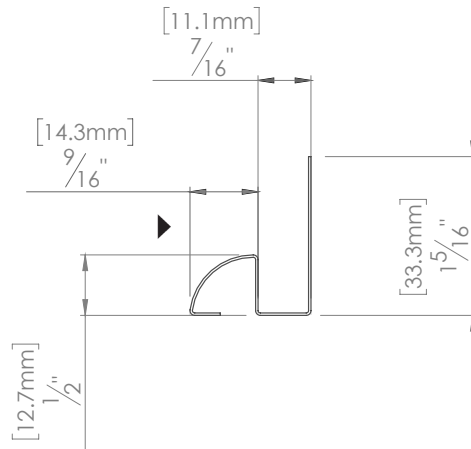
Variable = Degree or inch / mm Units = Inch and/or mm

All Trims come in a 10' length, 26 gauge

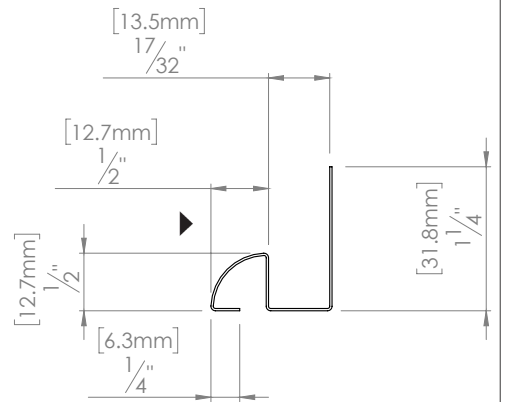
Inside corner or QJ

The QJ molding has the same functions as the J trim but is used most frequently as an interior corner.

No. M22C (Harrywood & MS 14)
Inside corner or QJ



No. M22D (Norwood)
Inside corner or QJ



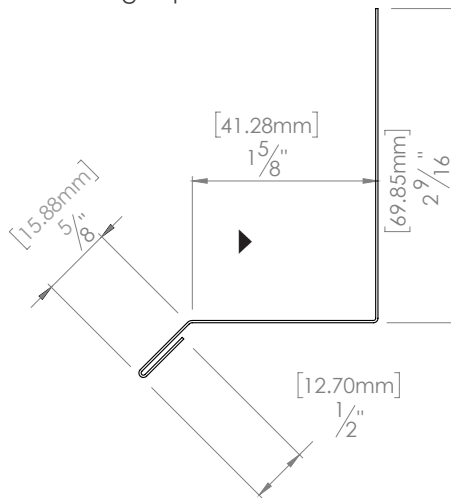
Drip flashing

It is important to use a drip flashing over any opening to drain water.

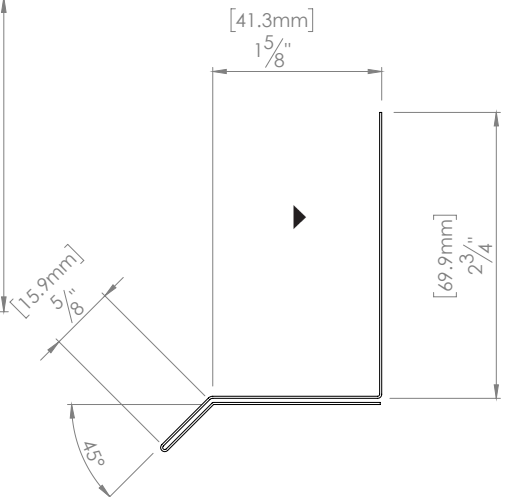
The double drip flashing will be used to fill a gap. Note that the entire piece is colored.

The pallet drip flashing is chosen when a window or opening is too far towards the inside of the wall. Note that the entire piece is colored.

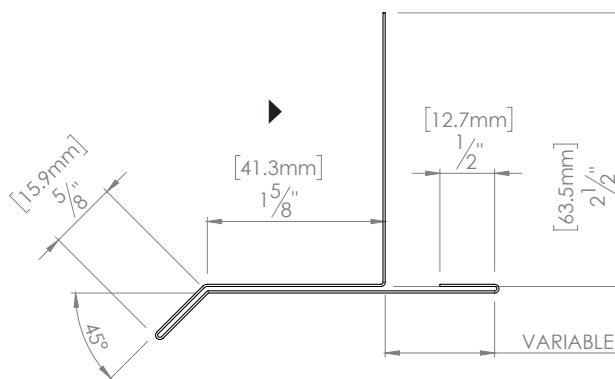
No. M50CD (Harrywood, MS 14 & Norwood)
Flashing drip



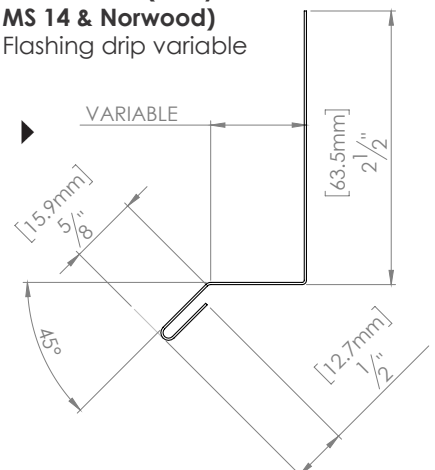
No. M53CD (Harrywood, MS 14 & Norwood)
Double flashing drip



No. M56CD (Harrywood & MS 14)
Extended drip flashing w/variable



No. M52CD (Harrywood, MS 14 & Norwood)
Flashing drip variable



Harrywood, Harrywood Block, MS 14, Norwood & Norwood Mini Profiles

Variable = Degree or inch / mm Units = Inch and/or mm

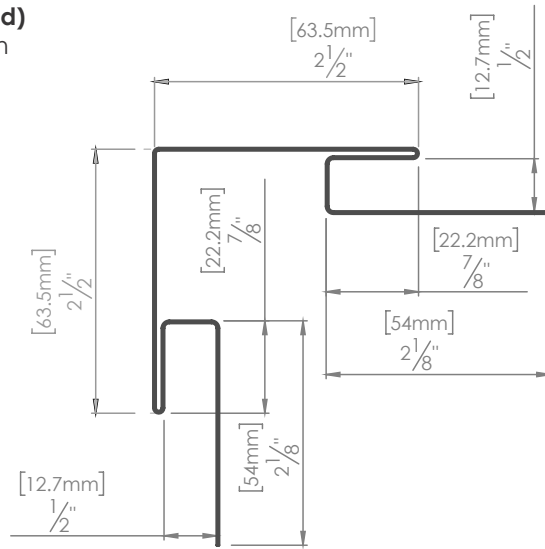
All Trims come in a 10' length, 26 gauge

Outside corner

The outside corner is used to cover the junction of two outgoing walls.

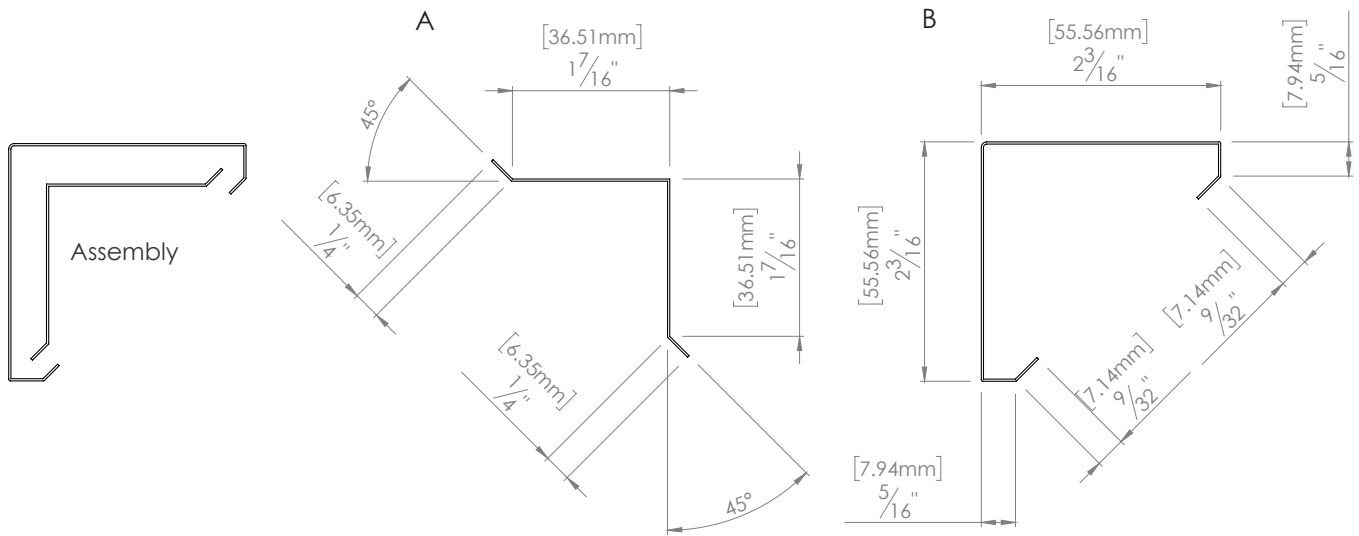
No. M20D (Norwood)

Outside corner with integrated J trim



No. M20C (Harrywood & MS 14)

Outside corner (2 pieces)



Harrywood, Harrywood Block, MS 14, Norwood & Norwood Mini Profiles

Variable = Degree or inch / mm Units = Inch and/or mm

All Trims come in a 10' length, 26 gauge

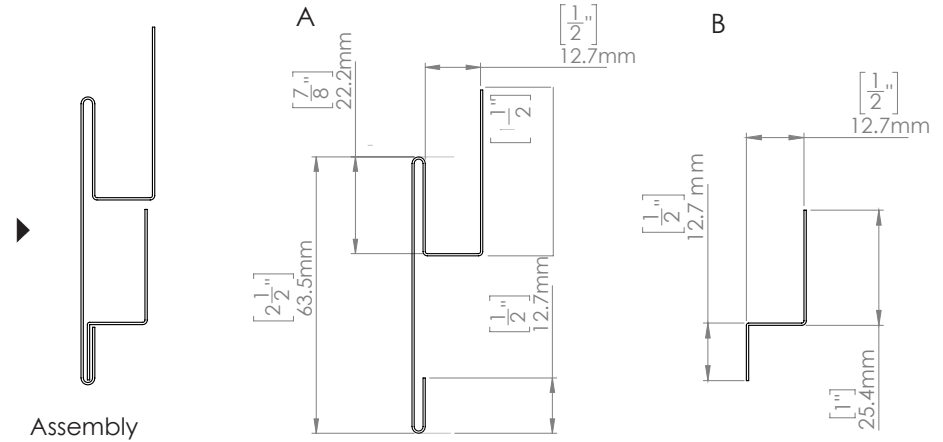
Transition trim

Used to create a transition between two sidings, to create a junction during the installation of a large surface of the same siding, or to mark the change between two materials.

The horizontal transition molding can also be used as a floor slump.

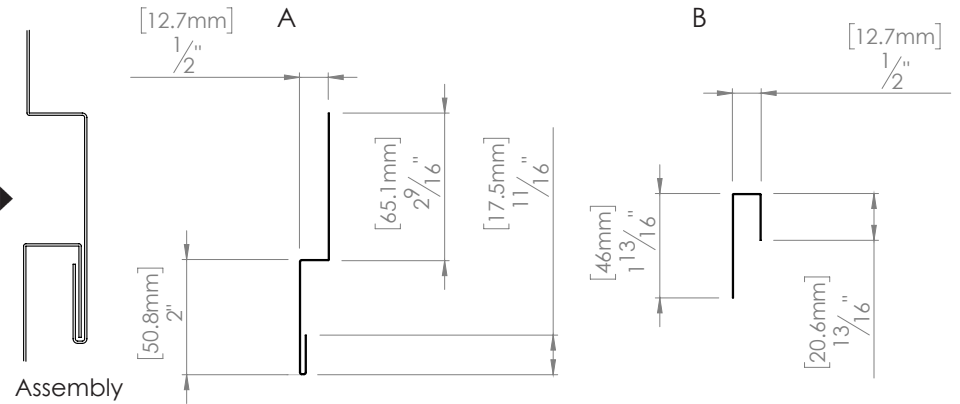
No. M12C (Harrywood & MS 14)

Vertical transition trim
(2 pieces)



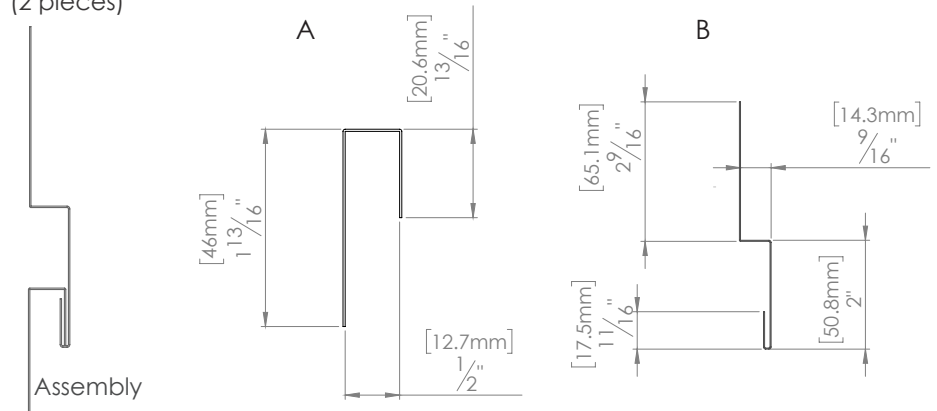
No. M13C (Harrywood & MS 14)

Horizontal transition trim
(2 pieces)



No. M13D (Norwood)

Horizontal transition trim
(2 pieces)



Harrywood, Harrywood Block, MS 14, Norwood & Norwood Mini Profiles

Variable = Degree or inch / mm Units = Inch and/or mm

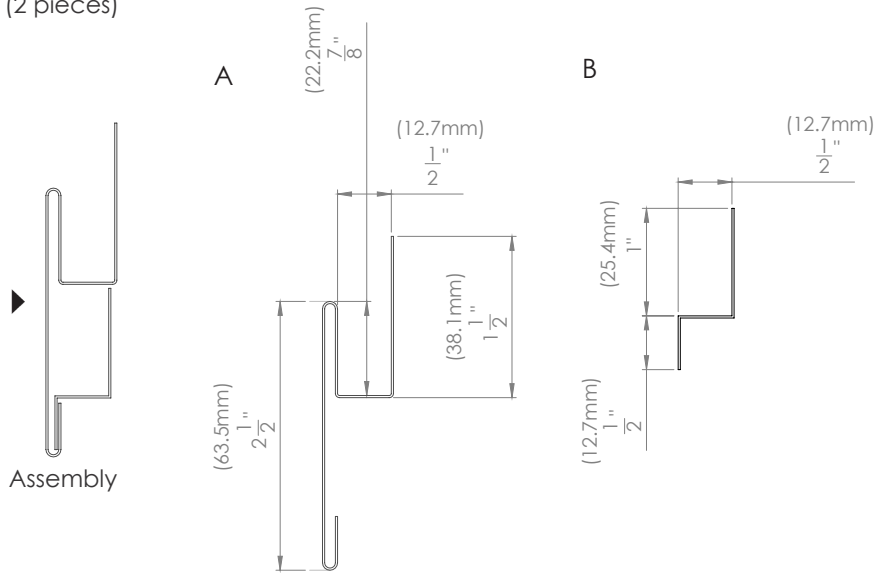
All Trims come in a 10' length, 26 gauge

Transition trim

Used to create a transition between two sidings, to create a junction during the installation of a large surface of the same siding, or to mark the change between two materials.

The horizontal transition molding can also be used as a floor slump.

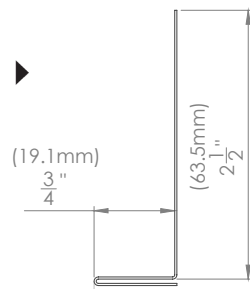
No. M12D (Norwood) Vertical transition trim (2 pieces)



L trim

The L trim will be used to fill a gap or to create a transition space between two sidings.

No. M14CD (Harrywood, MS 14 & Norwood) L trim



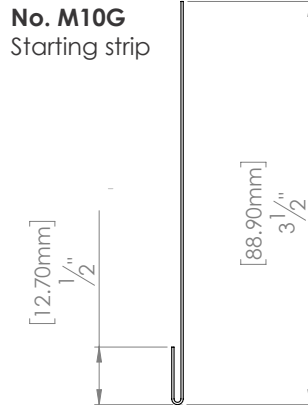
Versa & Metal Block Profiles

Variable = Degree or inch / mm Units = Inch and/or mm

All Trims come in a 10' length, 26 gauge

Starting strip

The starting strip will be the first to be put in place at the beginning of the work to guide and secure the production of the project.

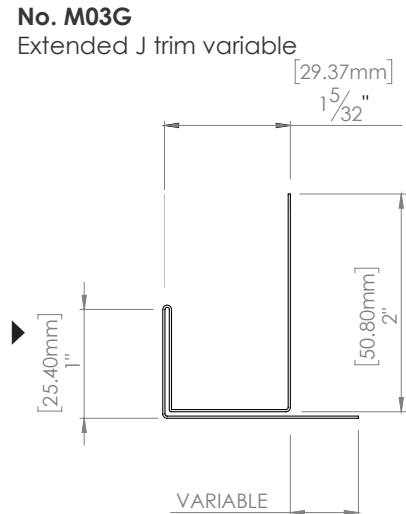
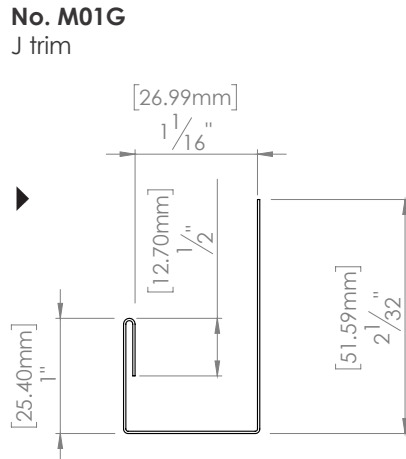


J trim

The J trim is used on the sides and bottom of any opening. Available in several forms depending on the needs of the project:

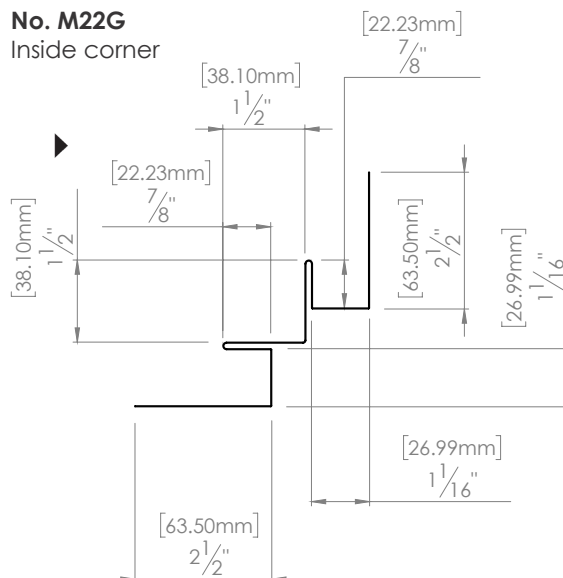
The double J trim will be used when a stronger molding is required or to fill a spacing. Note that the entire piece is colored.

The Extended J trim will be used to cover more surface as in the case of a window that is coming out of the wall.



Inside corner

The inside corner is used at the junction of two incoming walls.



Versa & Metal Block Profiles

Variable = Degree or inch / mm Units = Inch and/or mm

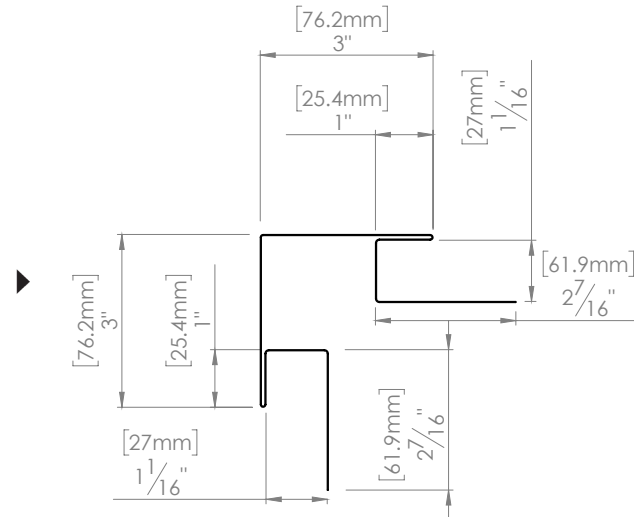
All Trims come in a 10' length, 26 gauge

Outside corner

The outside corner is used to cover the junction of two outgoing walls.

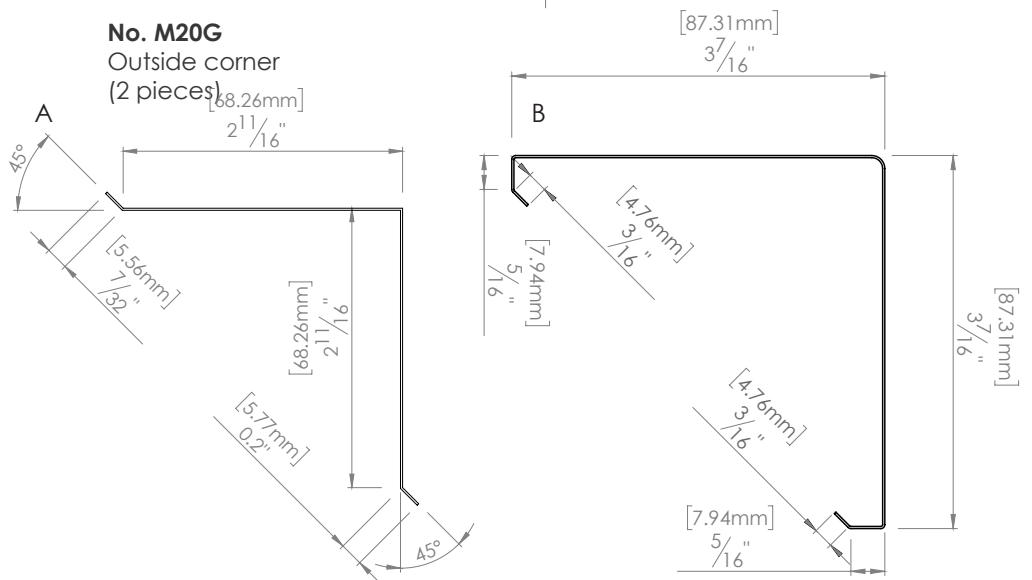
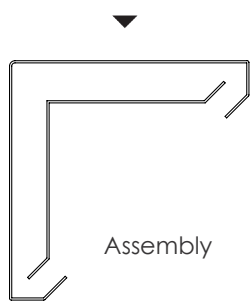
No. M21G

Outside corner w/ integrated J Trim



No. M20G

Outside corner (2 pieces)

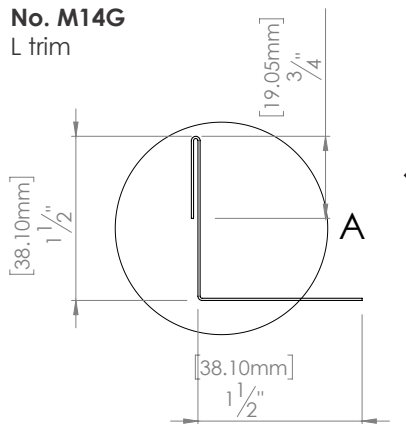


L trim

The L trim will be used to fill a gap or to create a transition space between two sidings.

No. M14G

L trim



Versa & Metal Block Profiles

Variable = Degree or inch / mm Units = Inch and/or mm

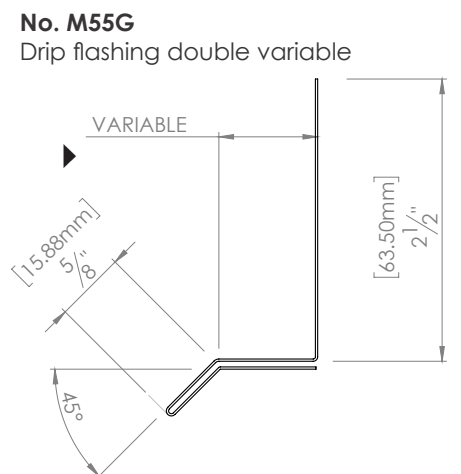
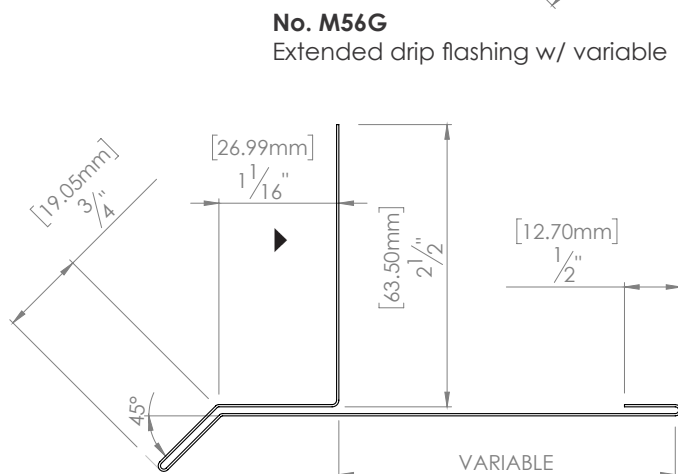
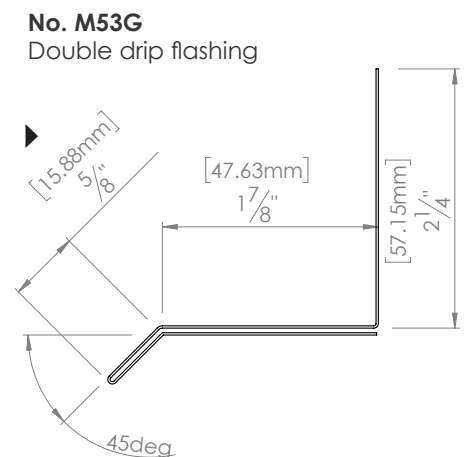
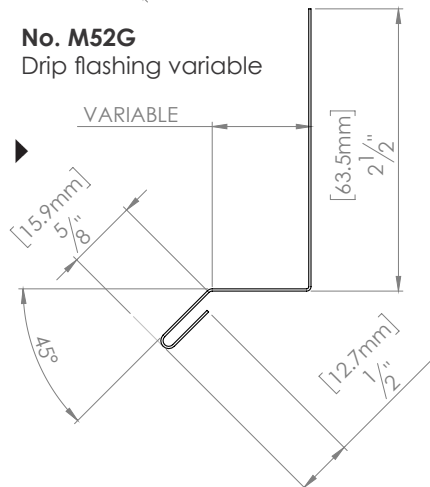
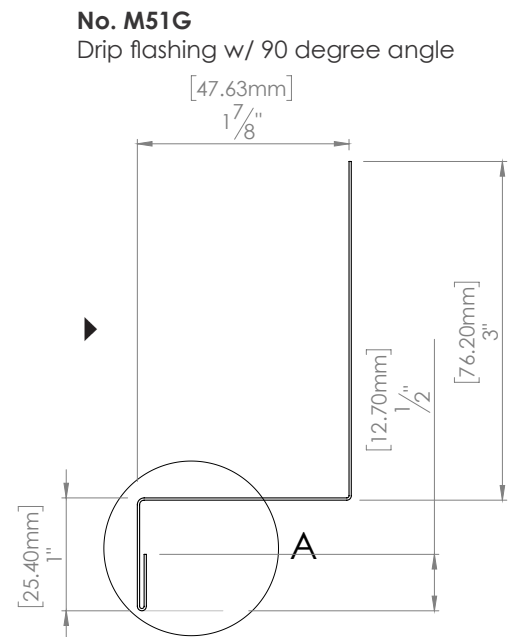
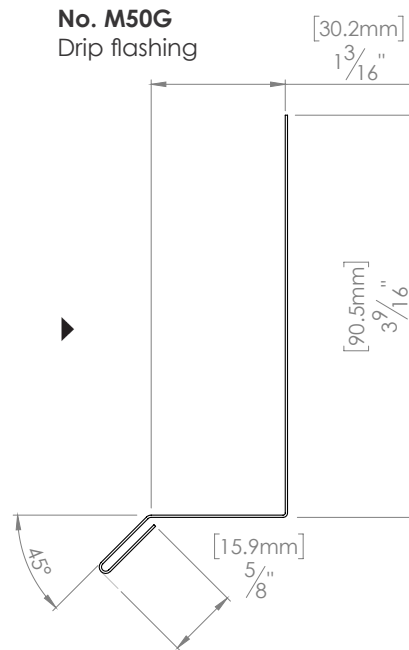
All Trims come in a 10' length, 26 gauge

Drip flashing

It is important to use a drip flashing over any opening to drain water.

The double drip flashing will be used to fill a gap. Note that the entire piece is colored.

The pallet drip flashing is chosen when a window or opening is too far towards the inside of the wall. Note that the entire piece is colored.



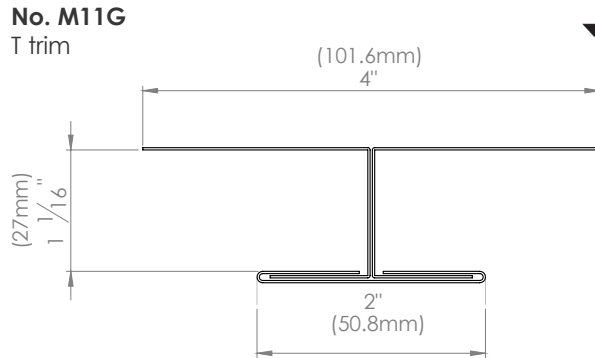
Versa & Metal Block Profiles

Variable = Degree or inch / mm Units = Inch and/or mm

All Trims come in a 10' length, 26 gauge

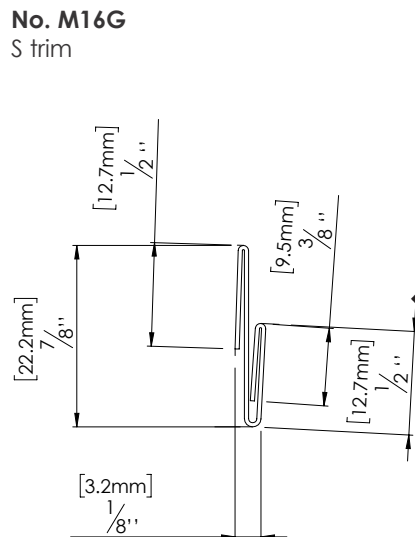
T trim

We recommend installing T molding every 10 to 12 feet when installing the Versa profile.



S trim

The S molding is recommended for horizontal installations; it acts as a bridging joint.



MS 380 Corrugated Profiles

Variable = Degree or inch / mm Units = Inch and/or mm

All Trims come in a 10' length, 26 gauge

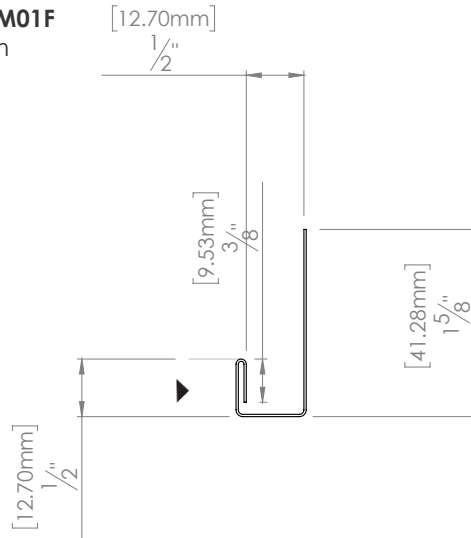
J Trim

The J trim is used on the sides and bottom of any opening. Available in several forms depending on the needs of the project:

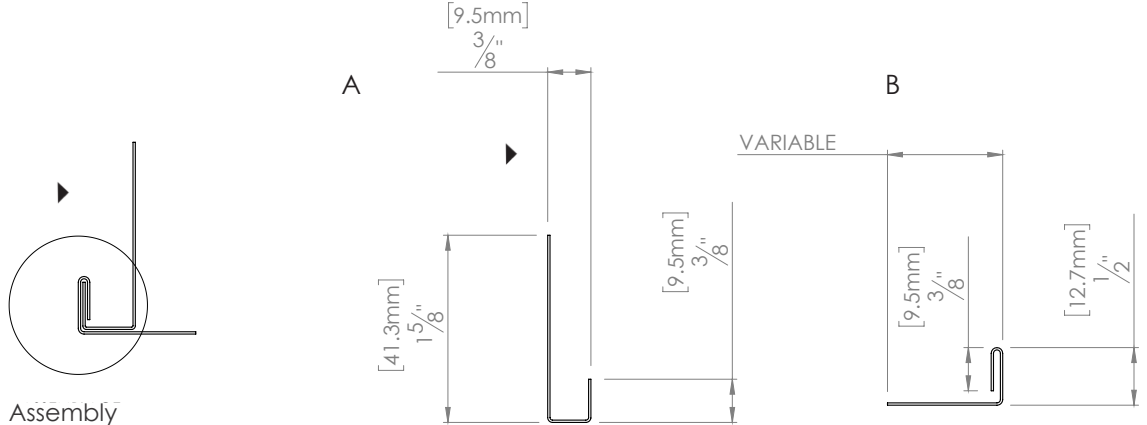
The Double J Trim will be used when a stronger molding is required or to fill a spacing. Note that the entire piece is colored.

The Extended J Trim will be used to cover more surface as in the case of a window that is coming out of the wall.

No. M01F J trim



No. M03F Extended J-trim variable (2 pieces)



MS 380 Corrugated Profiles

Variable = Degree or inch / mm Units = Inch and/or mm

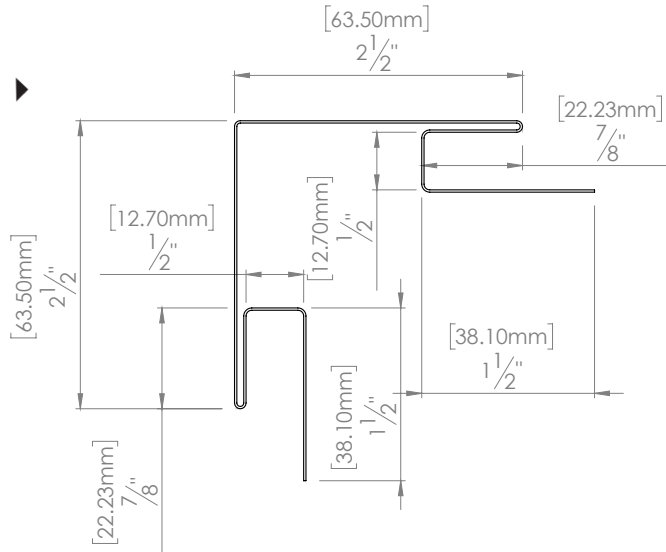
All Trims come in a 10' length, 26 gauge

Outside corner

The outside corner is used to cover the junction of two outgoing walls.

No. M21F

Outside corner w/ integrated J Trim

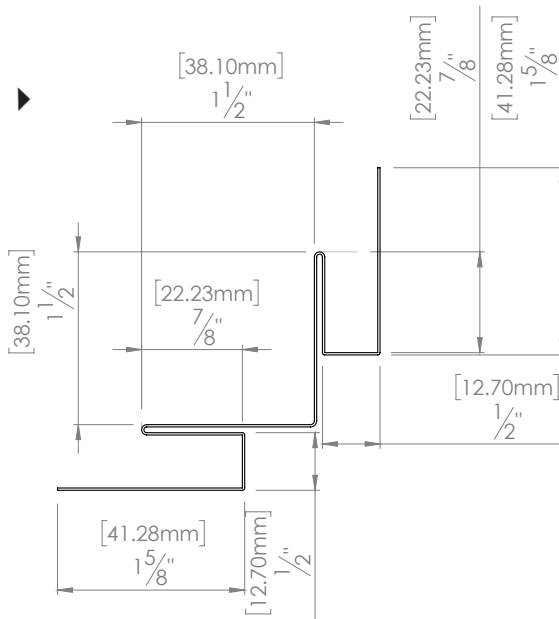


Inside corner

The inside corner is used at the junction of two incoming walls.

No. M22F

Inside corner



MS 380 Corrugated Profiles

Variable = Degree or inch / mm Units = Inch and/or mm

All Trims come in a 10' length, 26 gauge

Drip flashing

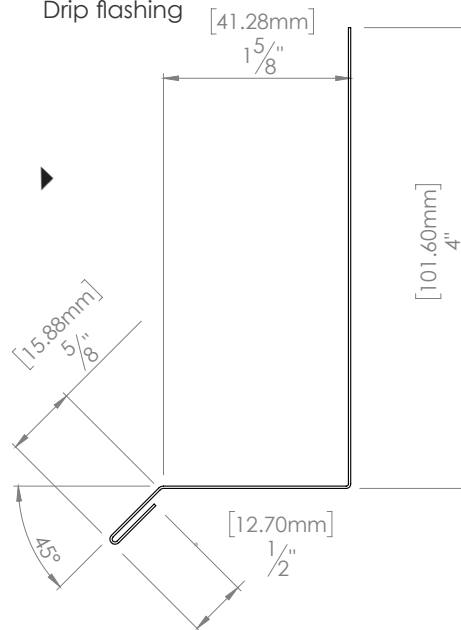
It is important to use a drip flashing over any opening to drain water.

The double drip flashing will be used to fill a gap. Note that the entire piece is colored.

The pallet drip flashing is chosen when a window or opening is too far towards the inside of the wall. Note that the entire piece is colored.

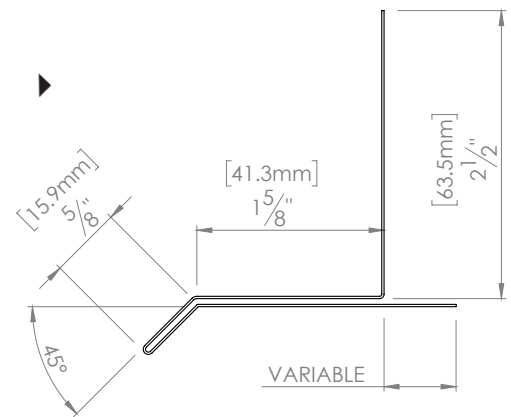
No. M50F

Drip flashing



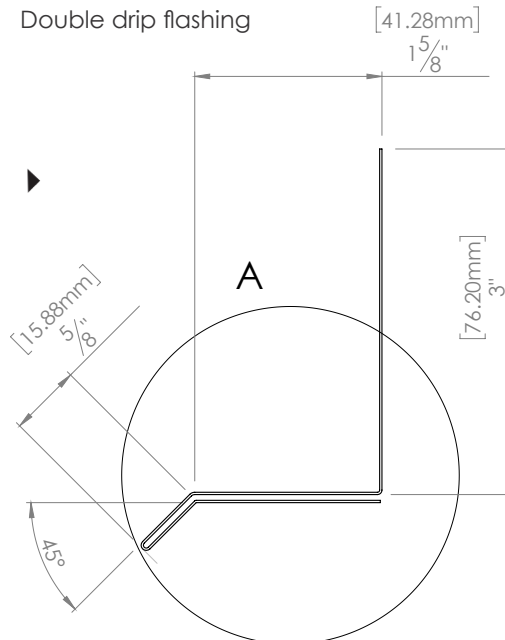
No. M56F

Extended drip flashing w/ variable



No. M53F

Double drip flashing



MS 750 & MS 750 I Profiles

Variable = Degree or inch / mm Units = Inch and/or mm

All Trims come in a 10' length, 26 gauge

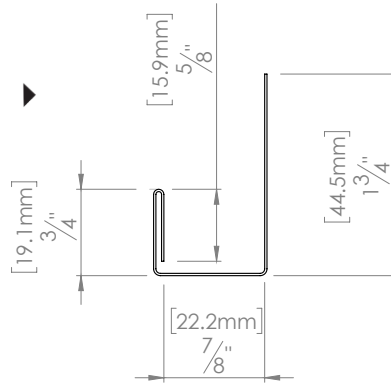
J Trim

The J trim is used on the sides and bottom of any opening. Available in several forms depending on the needs of the project:

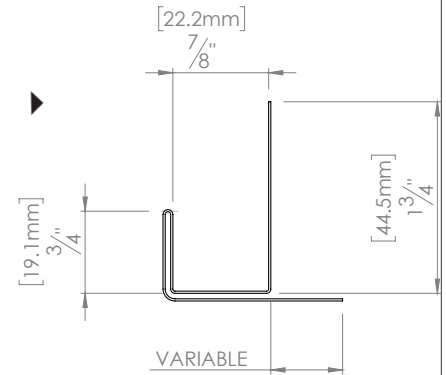
The Double J Trim will be used when a stronger molding is required or to fill a spacing. Note that the entire piece is colored.

The Extended J Trim will be used to cover more surface as in the case of a window that is coming out of the wall.

No. M01E J Trim



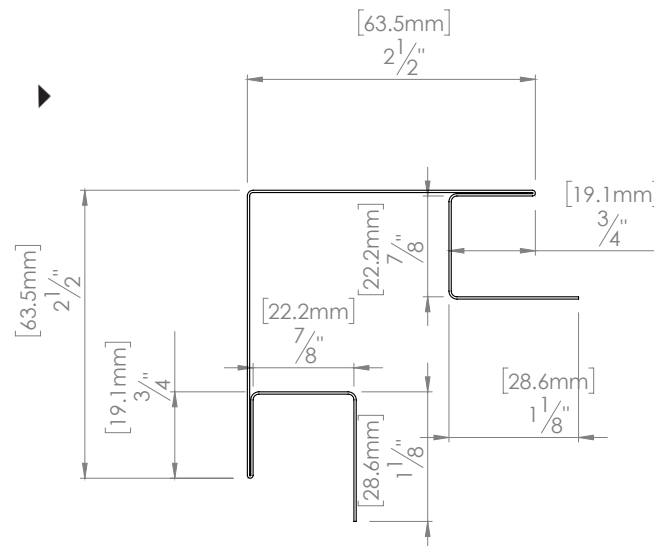
No. M03E J Trim



Outside corner

The outside corner is used to cover the junction of two outgoing walls.

No. M21E Outside corner w/ integrated J Trim



MS 750 & MS 750 I Profiles

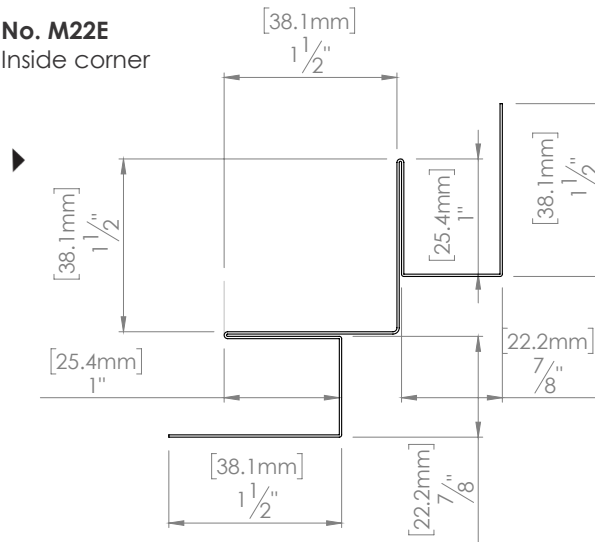
Variable = Degree or inch / mm Units = Inch and/or mm

All Trims come in a 10' length, 26 gauge

Inside corner

The inside corner is used at the junction of two incoming walls

No. M22E
Inside corner



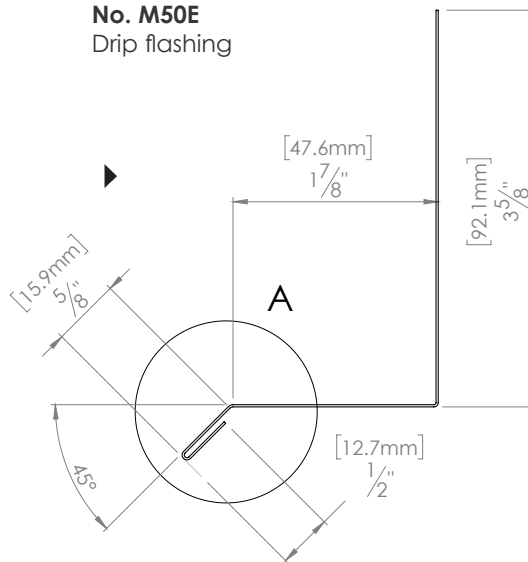
Drip flashing

It is important to use a drip flashing over any opening to drain water.

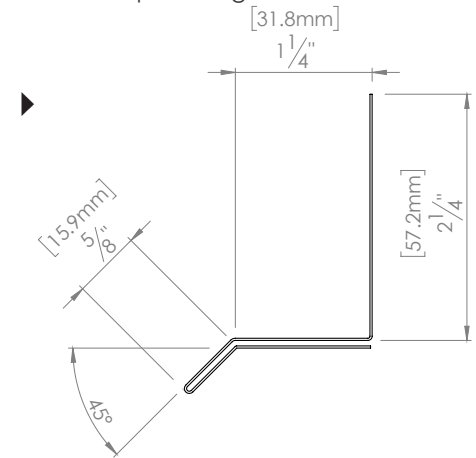
The double drip flashing will be used to fill a gap. Note that the entire piece is colored.

The pallet drip flashing is chosen when a window or opening is too far towards the inside of the wall. Note that the entire piece is colored.

No. M50E
Drip flashing



No. M53E
Double drip flashing



No. M56E
Extended drip flashing w/ variable

